

PP 455 E

Reservdelar

Spare parts

Ersatzteile

Pieces de rechange

Piezas de repuesto

Ricambi

Peças sobresselente

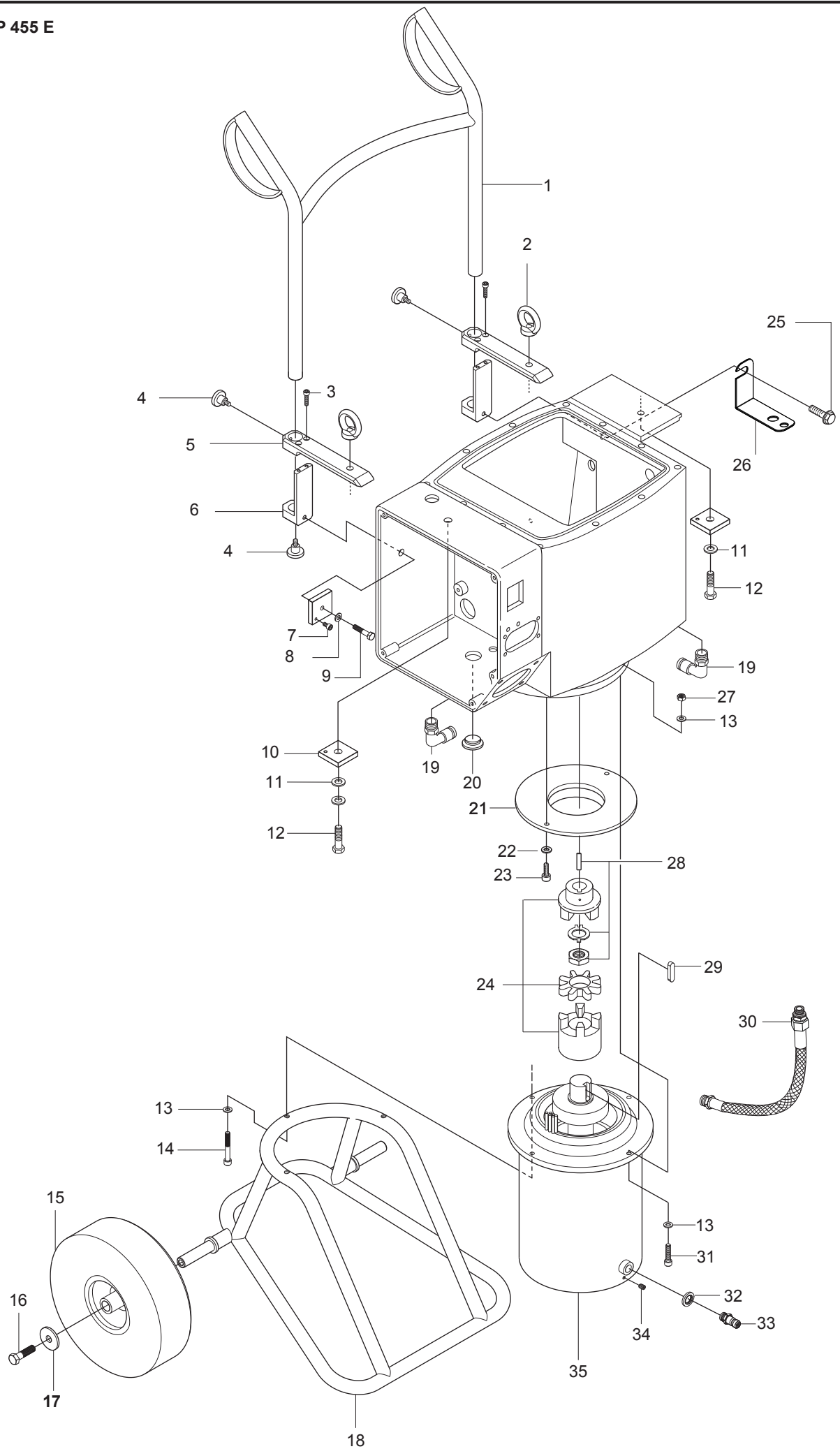
No.	Pos.	Description	No.	Pos.	Description
501 36 87-01	A	Motor 400V Water cooled	531 11 72-18	E	Socket
501 36 87-02	A	Motor 230V Water cooled	531 11 72-20	DE	Automatic fuse 4A
501 36 87-03	A	Motor 575V Water cooled	531 11 72-40	G	Gasket
501 36 87-04	A	Motor 200V Water cooled	531 11 72-50	E	Transformer 400V-600V/230V
501 36 89-01	C	Head	531 11 72-51	G	Emergency stop cpl
501 36 92-01	D	Cover	531 11 72-52	G	Circuite breaker
501 36 93-01	BI	Cover	531 11 72-53	G	Batterypack
501 36 94-01	F	Main block	531 11 72-54	G	Charger
504 00 37-01	H	Type plate	531 11 72-64	E	Double phase deq. Sensor 600V
504 00 40-01	G	Type plate	531 11 72-65	D	Electric inlet point 63A 600V
504 02 99-05	H	Label	531 11 72-66	D	Extension socket 600V
504 05 50-01	G	Display label	531 11 72-68	C	Cannon connector (with cable)
504 69 48-01	E	Motor protection 9-45A	531 11 72-75	D	Electric inlet point 63A 200V
504 69 48-02	E	Motor protection 5,4-27A	531 11 72-84	E	Double phase deq. Sensor 200V
504 69 51-01	E	Socket 9-45A	531 11 72-85	D	Extension socket 200V
504 69 51-02	E	Socket 5,4-27A	531 11 73-06	E	Contactora 200V
504 73 80-01	I	Spacing block	531 11 73-64	A	Cap PG21
504 73 81-01	I	Spacing block	531 11 80-23	B	Cutting ring D10L
505 23 80-01	C	Cover	531 11 80-25	B	Cutting ring D15L
505 46 11-01	D	Emergency stop button	531 11 80-41	CJ	Hydraulic coupling
505 46 12-01	D	Adapter	531 11 80-42	CJ	Hydraulic coupling
505 46 13-01	D	Contact block	531 11 80-45	CJ	Hydraulic coupling
505 52 03-01	D	Emergency stop button cpl.	531 11 80-46	CJ	Hydraulic coupling
505 52 67-01	D	Protective shutter	531 11 80-51	D	Level gauge
506 60 67-01	D	Screw	531 11 80-56	B	Hydraulic coupling
510 36 18-01	C	Plug	531 11 80-68	B	Cutting nut M15L
522 67 51-01	A	Washer	531 11 81-13	D	Magnetic plug
531 11 50-12	G	Can bus cable 6m	531 11 81-19	F	Water coupling
531 11 50-20	C	Water valve	531 11 81-20	F	Water coupling
531 11 51-22	DE	Electric plate compl.	531 11 81-21	A	Coupling
531 11 51-40	DE	Electric plate compl.	531 11 81-22	F	Pressure reducing valve
531 11 51-57	B	Pressure pipe compl.	531 11 81-23	F	Load retaining valve
531 11 51-63	DE	Electric plate compl.	531 11 81-24	F	Directional valve
531 11 51-68	A	Shaft coupling compl.	531 11 81-25	F	Flow valve
531 11 51-71	DE	Electric plate compl.	531 11 81-26	F	Flow valve
531 11 51-83	G	Potentiometer knob compl.	531 11 81-27	F	Pilot controlled differential valve
531 11 51-88	I	Saw carriage with cover	531 11 81-28	F	Pilot controlled differential valve
531 11 51-90	J	Hose set complete	531 11 81-32	B	Hydraulic coupling
531 11 52-34	F	Pressure transducer	531 11 81-33	B	Hydraulic coupling
531 11 52-35	B	Pipe	531 11 81-34	B	Hydraulic coupling
531 11 52-36	B	Pipe	531 11 81-38	B	Banjo
531 11 52-37	I	Saw carriage without cover	531 11 81-42	B	Filter insert
531 11 52-38	G	Battery charger 200V	531 11 81-65	J	Feeding hose 1/4"
531 11 70-34	G	Cannon connector	531 11 81-76	D	Nut M26x1,5
531 11 70-36	D	DIN rail	531 11 81-88	B	Cutting nut M10L
531 11 70-38	E	Double phase deq. sensor 400V	531 11 81-90	F	Hose
531 11 70-54	E	Auxiliary contact	531 11 82-00	C	Nipple
531 11 70-55	E	Auxiliary contact	531 11 82-18	J	Quick coupling male 13411
531 11 70-56	E	Main connectors 43A KIT	531 11 82-19	CJ	Quick coupling
531 11 70-57	E	Main connectors 43A KIT	531 11 82-47	J	Rubber band
531 11 70-59	D	Electric inlet point 63A 380V	531 11 82-57	F	Pressure reducing valve SV08
531 11 70-67	G	Connection block NO	531 11 82-81	B	Hydraulic pump (for 50Hz)
531 11 70-68	E	Contactora	531 11 82-83	B	Pump (for 60Hz)
531 11 70-96	G	Potentiometer remote control	531 11 82-90	F	Water coupling steel
531 11 70-97	C	Potentiometer knob	531 11 83-23	J	Hose set without couplings
531 11 71-00	E	Terminal block	531 11 83-36	J	Hydraulic hose 3/4"
531 11 71-01	E	Terminal block	531 11 83-37	C	Adapter
531 11 71-02	E	Relay 12V	531 11 83-41	B	Cooler
531 11 71-32	D	Extension socket	531 11 83-42	B	Check valve
531 11 71-40	D	Transformer	531 11 83-43	B	Hydraulic coupling
531 11 71-44	G	Push-button	531 11 83-44	B	Hydraulic coupling
531 11 71-45	E	Varistor	531 11 83-45	B	Hose
531 11 71-54	D	Socket 230V double	531 11 83-46	F	Water coupling, banjo
531 11 71-59	G	Gasket	531 11 83-47	F	Electromagnetic water valve
531 11 71-68	E	Mechanical interlock	531 11 83-55	A	Water coupling
531 11 71-73	E	End plate	531 11 83-56	C	Adapter
531 11 71-74	E	End support	531 11 90-07	A	Wheel
531 11 71-84	E	Contactora 200V	531 11 90-08	B	Ventilation hose
531 11 71-94	D	Extension socket 63A 230V	531 11 90-30	B	Air filter
531 11 72-08	D	Personal safety guard	531 11 90-31	A	Washer 13x36

No.	Pos.	Description	No.	Pos.	Description
531 11 91-26	G	Strap	531 14 20-82	A	Gauge bracket
531 11 91-31	B	Hose clamp	531 14 20-86	H	Decal
531 11 91-33	C	O-ring string 181x1,78	531 14 20-92	G	Chargercable
531 11 91-34	B	O-ring string 1130x6	531 14 21-06	D	Transformer module
531 11 91-81	B	Washer 10,5x22	531 14 21-10	B	Filter hose
531 11 91-83	A	Washer 13x24x2	531 14 21-12	A	PP455 Chassie
531 11 91-85	CDJ	Sealing ring 1/2"	531 14 21-18	A	Mount
531 11 92-02	A	Screw M6S 12x25	531 14 21-19	A	Handle
531 11 92-07	A	Screw M6S 12x45	531 14 21-20	A	Mount2
531 11 92-19	A	Screw M6S 8x30	531 14 21-26	A	Water hose
531 11 92-20	A	Screw M6S 8x35	531 14 21-43	D	Adapter
531 11 92-24	A	Screw M6SF 8x20	531 14 21-44	F	Water pipe
531 11 92-32	B	Screw MC6S 6x14	531 14 21-45	B	Mounting plate cooler
531 11 92-33	C	Screw MC6S 6x160	531 14 21-46	F	Water pipe
531 11 92-74	C	O-ring 29,2x3	531 14 21-49	B	Hose
531 11 92-93	B	O-ring 80x1,6	574 02 85-01	EG	Radio card
531 11 92-95	B	O-ring 98,02x3,53	575 71 67-01	B	Housing
531 11 92-99	A	Wedge PK 10x8x30	575 71 68-01	B	Ventilation valve
531 11 93-41	BCF	Plug VSTI R1/4"	576 21 49-01	I	Bushing compl.
531 11 93-49	B	Sealing ring 44,45	578 23 20-01	F	Lid
531 11 93-53	B	Screw MLC6S 6x12	578 32 77-01	F	Main board v 2.14
531 11 93-54	B	O-ring 63x2	578 32 77-02	F	Main board v 2.15
531 11 93-85	FG	Spacer mainboard	578 32 77-03	F	Main board v 2.16
531 11 94-26	I	Screw K6S 6x16 10.9 fzb	578 32 77-04	F	Main board v 2.17
531 11 94-53	I	Levell	578 32 78-01	G	Control board v 2.14
531 11 94-54	I	Spring	578 32 78-02	G	Control board v 2.15
531 11 94-56	A	Curled screw	578 32 78-03	G	Control board v 2.16
531 11 95-13	A	Lifting eye bolt M12	578 32 78-04	G	Control board v 2.17
531 11 95-25	BD	Sealing ring 3/4	578 32 79-01	G	Remote control v 2.14
531 11 96-06	A	Lock nut kit	578 32 79-02	G	Remote control v 2.15
531 12 22-52	J	Water hose	578 32 79-03	G	Remote control v 2.16
531 12 30-02	I	Socket	578 32 79-04	G	Remote control v 2.17
531 12 30-03	I	Holder shaft right	578 32 80-01	F	Main board v 2.19
531 12 30-04	I	Holder shaft left	578 32 81-01	G	Control board v 2.19
531 12 30-09	I	Handle	578 32 82-01	G	Remote control v 2.19
531 12 30-10	I	Bar	579 47 45-01	E	Relay
531 12 30-11	I	Excentric locking shaft	579 47 47-01	DE	Electrical plate
531 12 30-12	I	Locking clamp	720 12 71-50	I	Cylindrical pin 4x18
531 12 30-13	I	Sprint	720 13 08-50	I	Cylindrical pin 5x16
531 12 30-18	I	Nut	723 12 24-01	CG	Screw MCS 3x10
531 12 31-00	J	Aluminium washer red	723 12 87-01	C	Screw MCS 4x8
531 14 11-67	B	Ventilation hose nipple	723 12 91-01	D	Screw MCS 4x12
531 14 11-68	B	Ventilation nipple	723 13 28-01	E	Screw MCS 5x14
531 14 11-91	H	Electric data label	723 52 22-01	G	Screw MFS 3x8
531 14 12-05	H	Sign flash	723 52 89-01	DF	Screw MFS 4x10
531 14 12-11	H	Sign drain cooler	723 52 92-01	D	Screw MFS 4x14
531 14 12-34	H	Varning sign	723 53 25-01	D	Screw MFS 5x10
531 14 20-04	A	Bearing cover	725 24 63-71	A	Screw M6S 8x60H
531 14 20-09	B	Filter bracket	725 25 42-51	I	Screw M6S 12x50
531 14 20-10	B	Screw attachment	725 52 20-01	DF	Screw MC6S 3x6
531 14 20-11	G	Control plate	725 53 31-01	D	Screw MC6S 5x20
531 14 20-13	G	Potentiometer nut	725 53 33-55	B	Screw MC6S 5x25
531 14 20-18	B	Pressure block	725 53 64-01	A	Screw MC6S 6x10
531 14 20-19	B	Suction block	725 53 68-01	ACDI	Screw MC6S 6x16
531 14 20-20	B	Pressure block	725 53 70-01	B	Screw MC6S 6x20
531 14 20-21	B	Cooler connection	725 53 72-01	AD	Screw MC6S 6x25
531 14 20-23	D	Cable tubing	725 53 74-01	D	Screw MC6S 6x30
531 14 20-27	F	Electronic box cover	725 53 78-01	B	Screw MC6S 6x40
531 14 20-28	D	Fuse holder	725 54 93-01	B	Screw MC6S 10x25
531 14 20-29	E	Electric plate compl	725 63 66-51	CD	Screw MF6S 6x12
531 14 20-32	B	Filter housing	728 73 60-05	A	Stop screw S6SS 6x6
531 14 20-43	B	Suction pipe	728 73 64-05	I	Stop screw 6x10
531 14 20-45	B	Pressure pipe	731 23 10-01	G	Nut M3
531 14 20-52	B	Oil cap	731 23 16-01	CD	Nut M6
531 14 20-53	B	Oil armatures	731 23 18-01	A	Nut M8
531 14 20-54	A	Support washer	732 25 12-01	D	Locking nut M4
531 14 20-55	D	Transformer bracket	732 25 14-01	D	Locking nut M5
531 14 20-62	G	Remote box	734 11 46-01	CDE	Washer 5,3x10x1
531 14 20-71	H	Sound label	734 11 52-01	ACD	Washer 6,4x12
531 14 20-79	F	Hose pressure transducer	734 11 63-01	A	Washer 8,4x16

No.	Pos.	Description	No.	Pos.	Description
740 38 08-01	BC	Sealing ring M6			
740 38 18-01	CDJ	Sealing ring 1/8			
740 38 27-01	AFIJ	Sealing ring 1/4			
740 38 34-01	B	Sealing ring 3/8			
740 42 17-00	G	O-ring 19,1x1,6			
740 43 13-00	B	O-ring 15,3x2,4			
740 44 04-00	BC	O-ring 19,2x3			
740 44 05-00	B	O-ring 22,2x3			
740 44 12-00	C	O-ring 39,2x3			

**A**

PP 455 E

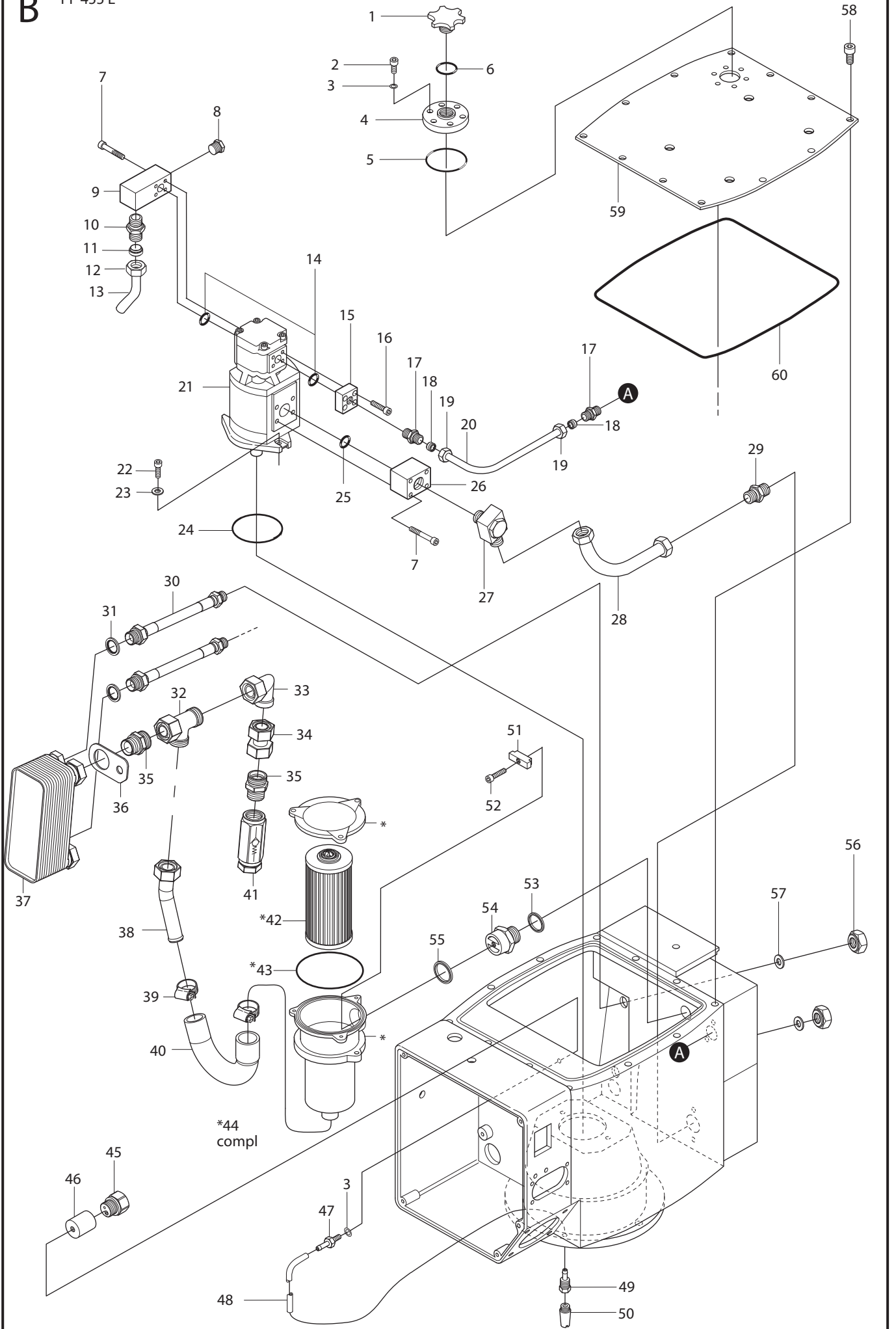


**Page A PP 455 E**

Position	Article	Quantity	Notes	Kit
1	531 14 21-19	1		
2	531 11 95-13	2		
3	725 53 72-01	4		
4	531 11 94-56	4		
5	531 14 21-18	2		
6	531 14 21-20	2		
7	725 53 64-01	2		
8	522 67 55-01	1		
9	531 11 92-19	1		
10	531 14 20-54	3		
11	531 11 91-83	3		
12	531 11 92-07	2		
13	734 11 63-01	12		
14	725 24 63-71	3		
15	531 11 90-07	2		
16	531 11 92-02	2		
17	531 11 90-31	2		
18	531 14 21-12	1		
19	531 11 81-21	2		
20	531 11 73-64	1		
21	531 14 20-04	1		
22	734 11 52-01	2		
23	725 53 68-01	2		
24	531 11 51-68	1		
25	531 11 92-24	1		
26	531 14 20-82	1		
27	731 23 18-01	4		
28	531 11 96-06	1		
29	531 11 92-99	1		
30	531 14 21-26	1		
31	531 11 92-20	1		
32	740 38 27-01	1		
33	531 11 83-55	1		
34	728 73 60-05	1		
35	501 36 87-02	1	230V	
35	501 36 87-03	1	575V	
35	501 36 87-04	1	200V	
35	501 36 87-01	1	400V	

**B**

PP 455 E



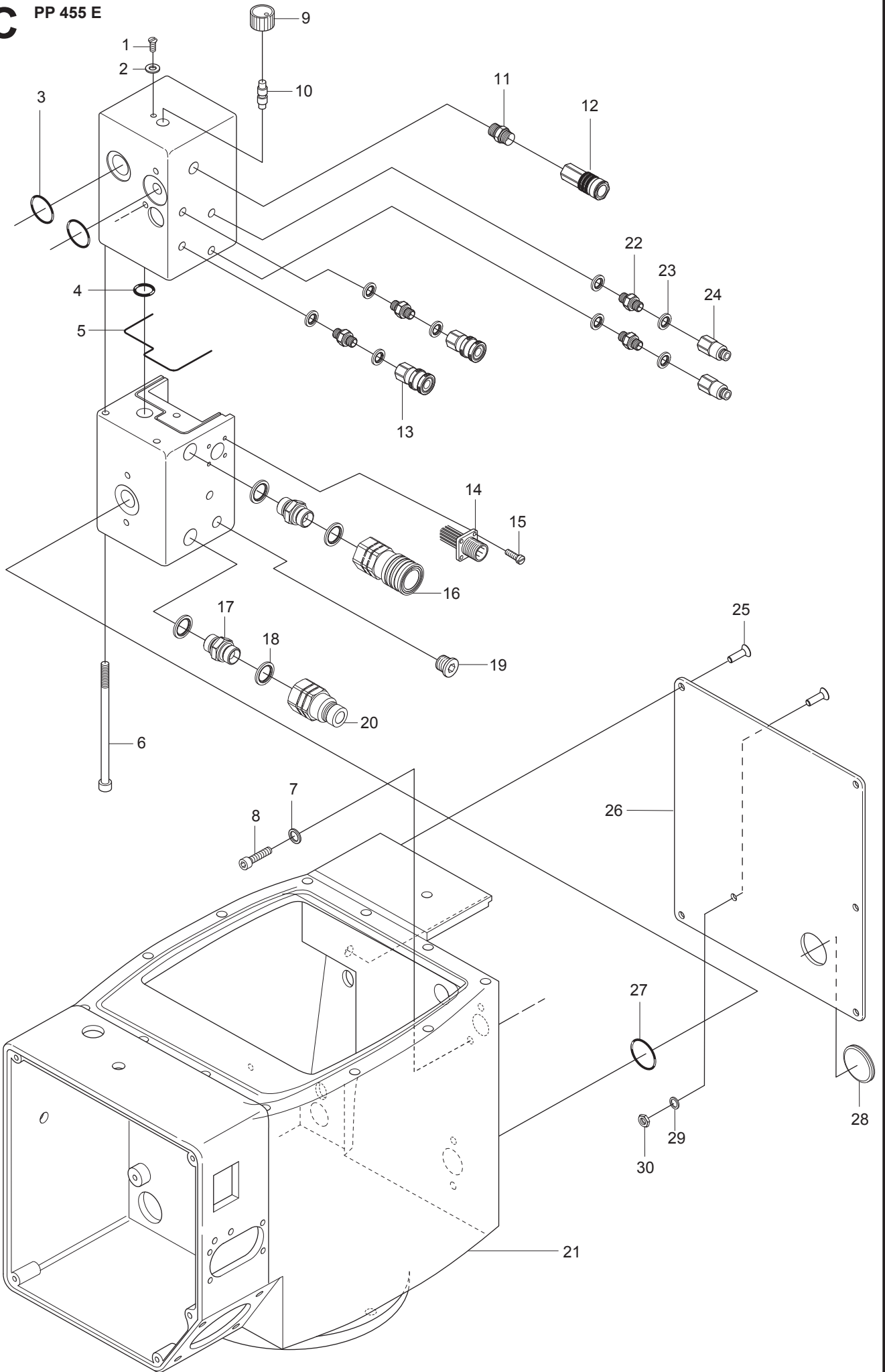
**Page B PP 455 E**

Position	Article	Quantity	Notes	Kit
1	531 14 20-52	1		
2	531 11 93-53	6		
3	740 38 08-01	7		
4	531 14 20-53	1		
5	531 11 93-54	1		
6	740 44 05-00	1		
7	725 53 78-01	8		
8	531 11 93-41	1		
9	531 14 20-19	1		
10	531 11 80-56	1		
11	531 11 80-25	1		
12	531 11 80-68	1		
13	531 14 20-43	1		
14	740 43 13-00	2		
15	531 14 20-18	1		
16	725 53 70-01	4		
17	531 11 81-32	2		
18	531 11 80-23	2		
19	531 11 81-88	2		
20	531 14 20-45	1		
21	531 11 82-81	1	50Hz	
21	531 11 82-83	1	60Hz	
22	725 54 93-01	2		
23	531 11 91-81	2		
24	531 11 92-93	1		
25	740 44 04-00	1		
26	531 14 20-20	1		
27	531 11 81-38	1		
28	531 11 51-57	1		
29	531 11 81-33	1		
30	531 11 83-45	2		
31	531 11 91-85	2		
32	531 11 83-43	1		
33	531 11 83-44	1		
34	531 11 52-36	1		
35	531 11 81-34	2		
36	531 14 21-45	1		
37	531 11 83-41	1		
38	531 11 52-35	1		
39	531 11 91-31	2		
40	531 14 21-10	1		
41	531 11 83-42	1		
42	531 11 81-42	1		44
43	531 11 92-95	1		44
44	531 14 20-32	1		
45	575 71 68-01	1		
46	575 71 67-01	1		
47	531 14 11-67	1		
48	531 11 90-08	1	(350mm)	
49	531 14 11-68	1		
50	531 11 90-30	1		
51	531 14 20-10	1		
52	725 53 33-55	1		
53	531 11 95-25	1		
54	531 14 20-09	1		
55	531 11 93-49	1		
56	531 14 20-21	2		
57	740 38 34-01	2		
58	531 11 92-32	12		
59	501 36 93-01	1		
60	531 11 91-34	1		



**C**

PP 455 E



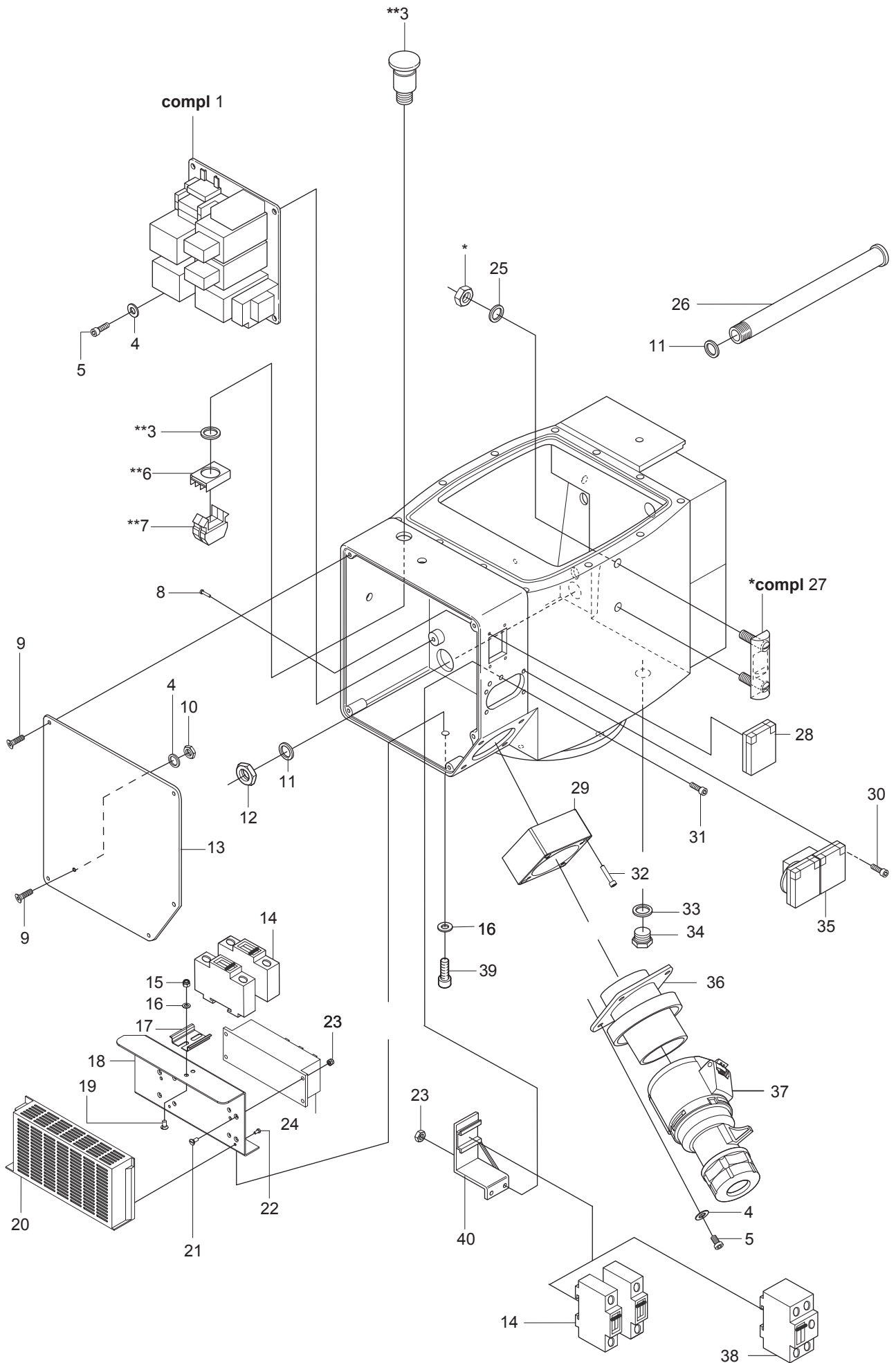
**Page C PP 455 E**

<b>Position</b>	<b>Article</b>	<b>Quantity</b>	<b>Notes</b>	<b>Kit</b>
1	723 12 87-01	1		
2	734 11 46-01	1		
3	531 11 92-74	2		
4	740 44 04-00	1		
5	531 11 91-33	1		
6	531 11 92-33	3		
7	740 38 08-01	4		
8	725 53 68-01	4		
9	531 11 70-97	1		
10	531 11 50-20	1		
11	531 11 83-56	1		
12	531 11 82-19	1		
13	531 11 80-45	2		
14	531 11 72-68	1	With kabel	
15	723 12 24-01	4		
16	531 11 80-41	1		
17	531 11 82-00	2		
18	531 11 91-85	4		
19	531 11 93-41	1		
20	531 11 80-42	1		
21	501 36 89-01	1		
22	531 11 83-37	4		
23	740 38 18-01	8		
24	531 11 80-46	2		
25	725 63 66-51	6		
26	505 23 80-01	1		
27	740 44 12-00	1		
28	510 36 18-01	1		
29	734 11 52-01	1		
30	731 23 16-01	1		

**D**

PP 455 E

\*\*compl 2



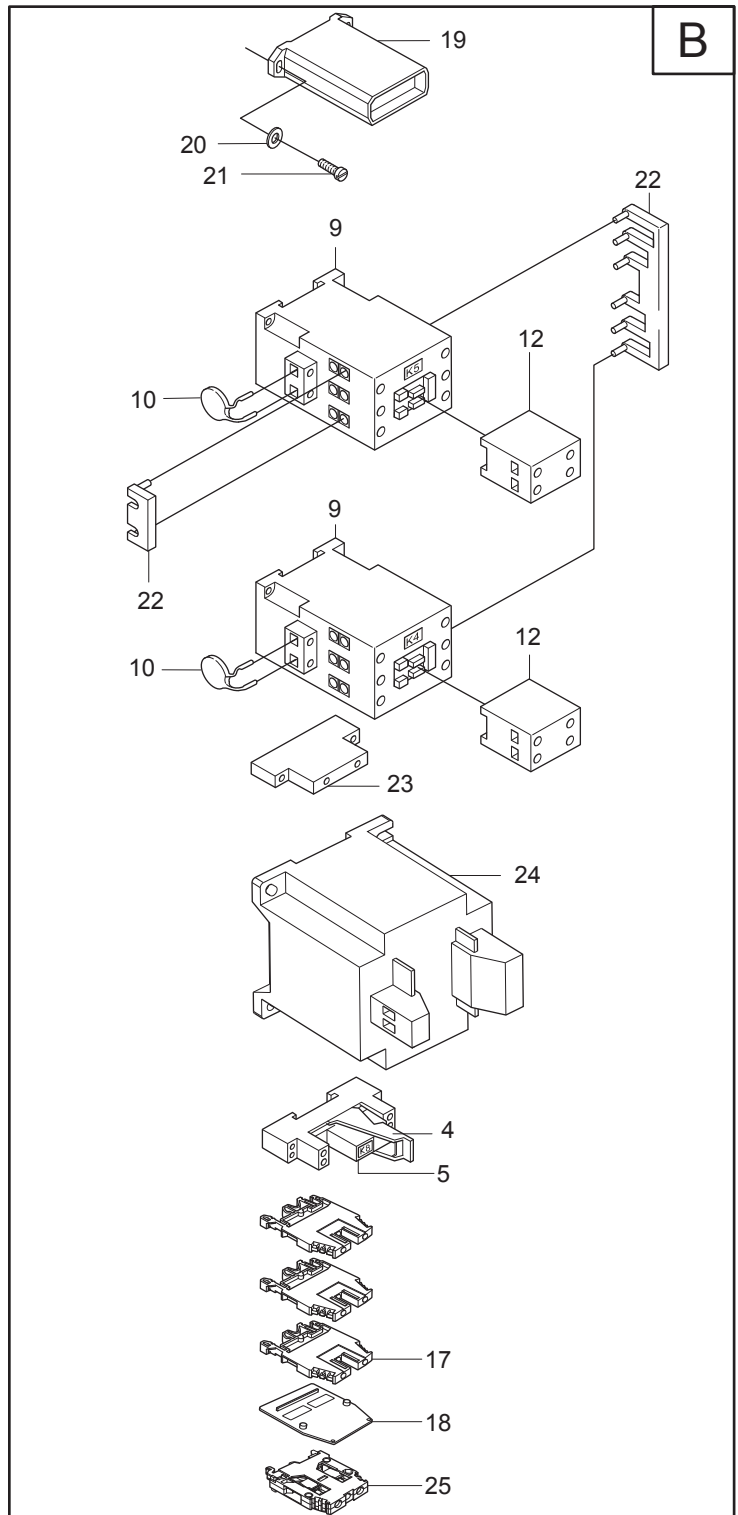
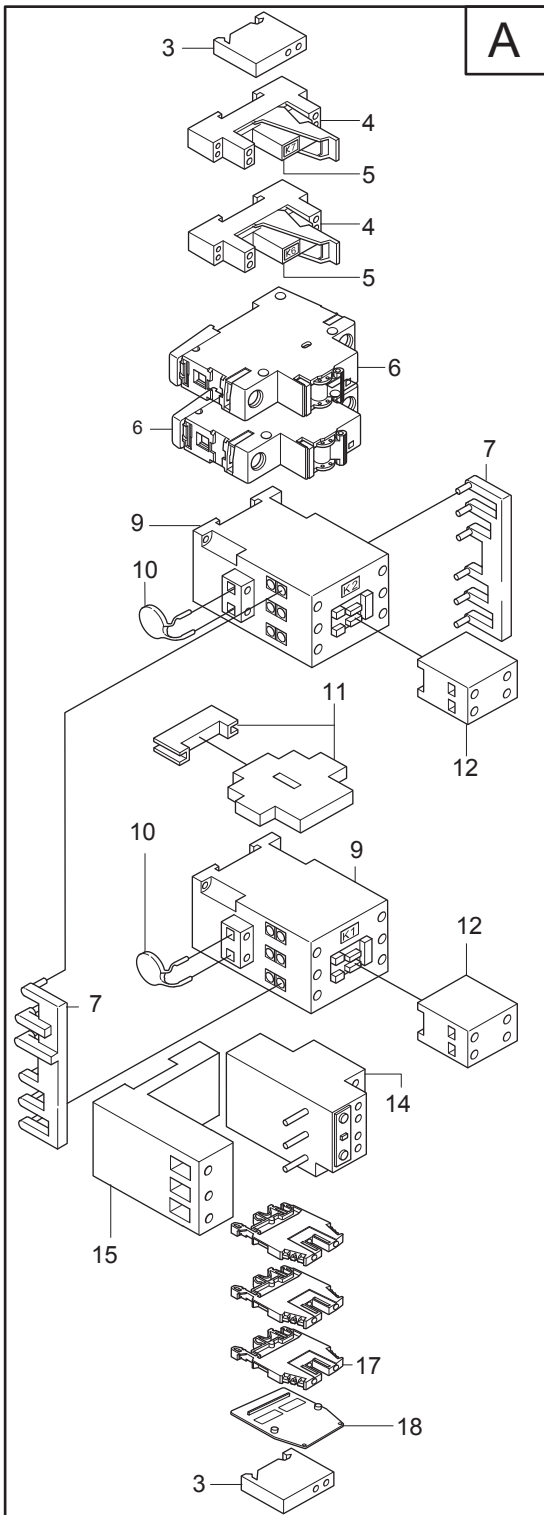
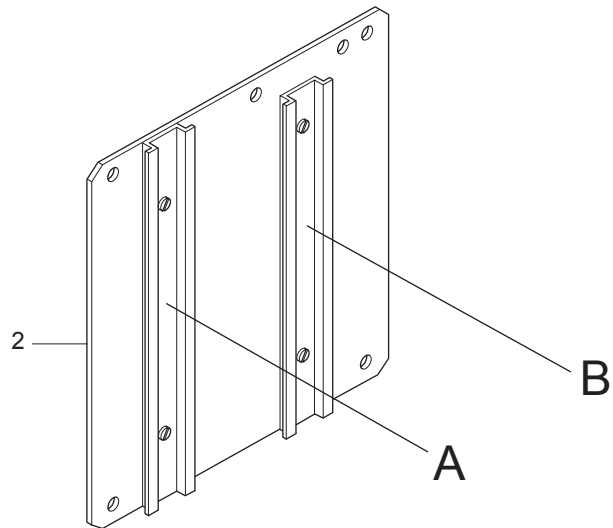
**Page D PP 455 E**

Position	Article	Quantity	Notes	Kit
1	531 11 51-40	1	Compl. EUR 400V	
1	579 47 47-01	1	Compl. US 440V	
1	531 11 51-63	1	Compl. CAN 600V	
1	531 11 51-22	1	Compl. NOR 230V/400V	
1	531 11 51-71	1	Compl. JAP 200V	
2	505 52 03-01	1	Compl.	
3	505 46 11-01	2		2
4	734 11 52-01	9		
5	725 53 68-01	8		
6	505 46 12-01	1		2
7	505 46 13-01	2		2
8	506 60 67-01	4		
9	725 63 66-51	6		
10	731 23 16-01	1		
11	531 11 95-25	2		
12	531 11 81-76	1		
13	501 36 92-01	1		
14	531 11 72-20	4	ONLY WITH 230V OUTLET	
15	732 25 14-01	2		
16	734 11 46-01	4		
17	531 11 70-36	1		
18	531 14 20-55	1		
19	723 53 25-01	2		
20	531 11 71-40	1		
21	723 52 89-01	4		
22	725 52 20-01	4		
23	732 25 12-01	6		
24	531 14 21-06	1		
25	740 38 18-01	2		
26	531 14 20-23	1		
27	531 11 80-51	1	Compl.	
28	505 52 67-01	1		
29	531 14 21-43	1	ONLY ON 200V	
30	723 12 91-01	4		
31	723 52 92-01	2		
32	725 53 74-01	2		
33	531 11 91-85	1		
34	531 11 81-13	1		
35	531 11 71-54	1	ONLY WITH 230V OUTLET	
36	531 11 70-59	1	230/400/440V	
36	531 11 72-65	1	600V	
36	531 11 72-75	1	200V	
37	531 11 71-94	1	230V	
37	531 11 72-66	1	600V	
37	531 11 72-85	1	200V	
37	531 11 71-32	1	AUS-US/CAN 440V	
38	531 11 72-08	1	ONLY WITH 230V OUTLET	
39	725 53 31-01	2		
40	531 14 20-28	1		

**E**

PP 455 E  
 Electric plate  
 compl — 1

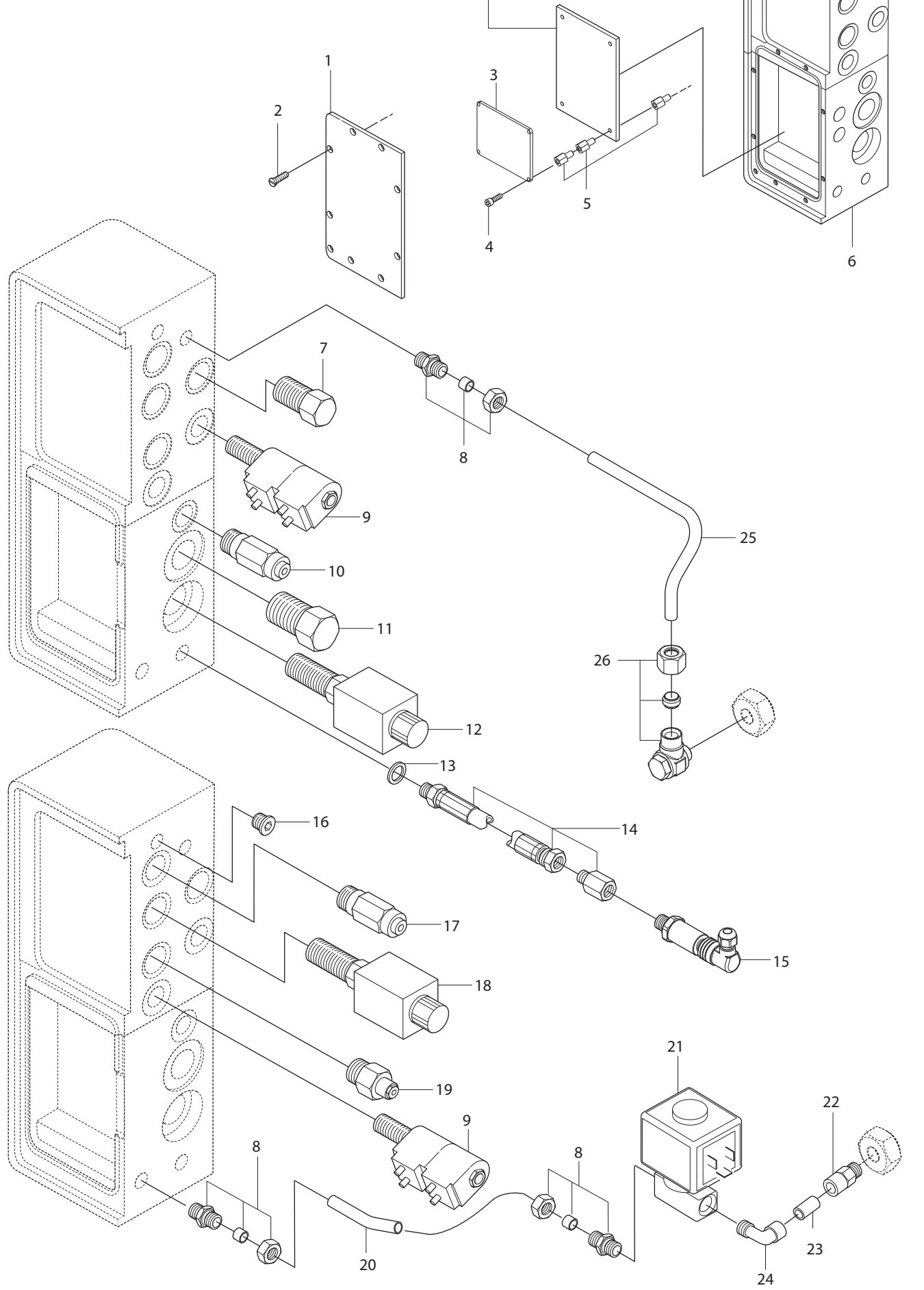
See electric wiring diagram  
 for cable dimensions etc.



**Page E PP 455 E**

<b>Position</b>	<b>Article</b>	<b>Quantity</b>	<b>Notes</b>	<b>Kit</b>
1	531 11 51-40	1	EUR 400V	
1	579 47 47-01	1	US 440V	
1	531 11 51-71	1	JAP 200V	
1	531 11 51-63	1	CAN 600V	
1	531 11 51-22	1	NOR 230/400V	
2	531 14 20-29	1		
3	531 11 71-74	2		
4	531 11 72-18	3		
5	531 11 71-02	3		
6	531 11 72-20	2		
7	531 11 70-56	2		
9	531 11 71-84	2	200V, A	
9	531 11 73-06	2	200V, B	
9	531 11 70-68	4		
10	531 11 71-45	4		
11	531 11 71-68	1		
12	531 11 70-55	4		
14	504 69 48-01	1	JAP 200V, NOR 230/400V, CAN 600V	
14	504 69 48-02	1	EUR 400V, US 480V	
15	504 69 51-01	1	JAP 200V, CAN 600V	
15	504 69 51-02	1	EUR 400V, US 480V	
17	531 11 71-00	8		
18	531 11 71-73	2		
19	579 47 45-01	1	480V	
19	531 11 70-38	1	400V	
19	531 11 72-64	1	600V	
19	531 11 72-84	1	200V	
20	734 11 46-01	2		
21	723 13 28-01	2		
22	531 11 70-57	2		
23	531 11 70-54	1		
24	531 11 72-50	1	NOT ON 200V, 230/400V	
25	531 11 71-01	1		

Variant	Main board No.	Machine no.	Version
400-440V	578 32 77-01	- 4392	2.14
200V	578 32 77-02	- 4392	2.15
600V	578 32 77-03	- 4392	2.16
230/400V	578 32 77-04	- 439	2.17
ALL	578 32 80-01	4393 -	2.19



Position	Article	Quantity	Notes	Kit
1	578 23 20-01	1		
2	723 52 89-01	8		
3	574 02 85-01	1		
4	725 52 20-01	2		
5	531 11 93-85	8		
6	501 36 94-01	1		
7	531 11 81-27	1		
8	531 11 81-19	3		
9	531 11 81-24	2		
10	531 11 82-57	1		
11	531 11 81-28	1		
12	531 11 81-26	1		
13	740 38 27-01	1		
14	531 14 20-79	1		
15	531 11 52-34	1		
16	531 11 93-41	1		
17	531 11 81-22	1		
18	531 11 81-25	1		
19	531 11 81-23	1		
20	531 14 21-46	1		
21	531 11 83-47	1		
22	531 11 81-20	1		
23	531 11 81-90	1	(l=42 mm)	
24	531 11 82-90	1		
25	531 14 21-44	1		
26	531 11 83-46	1		
27	578 32 77-01	1	Variant 400-440V, Machine no - 4392, Version 2.14	
27	578 32 77-02	1	Variant 200V, Machine no - 4392, Version 2.15	
27	578 32 77-03	1	Variant 600V, Machine no - 4392, Version 2.16	
27	578 32 77-04	1	Variant 230/400V, Machine no - 439, Version 2.17	
27	578 32 80-01	1	Variant ALL, Machine no 4393 -, Version 2.19	

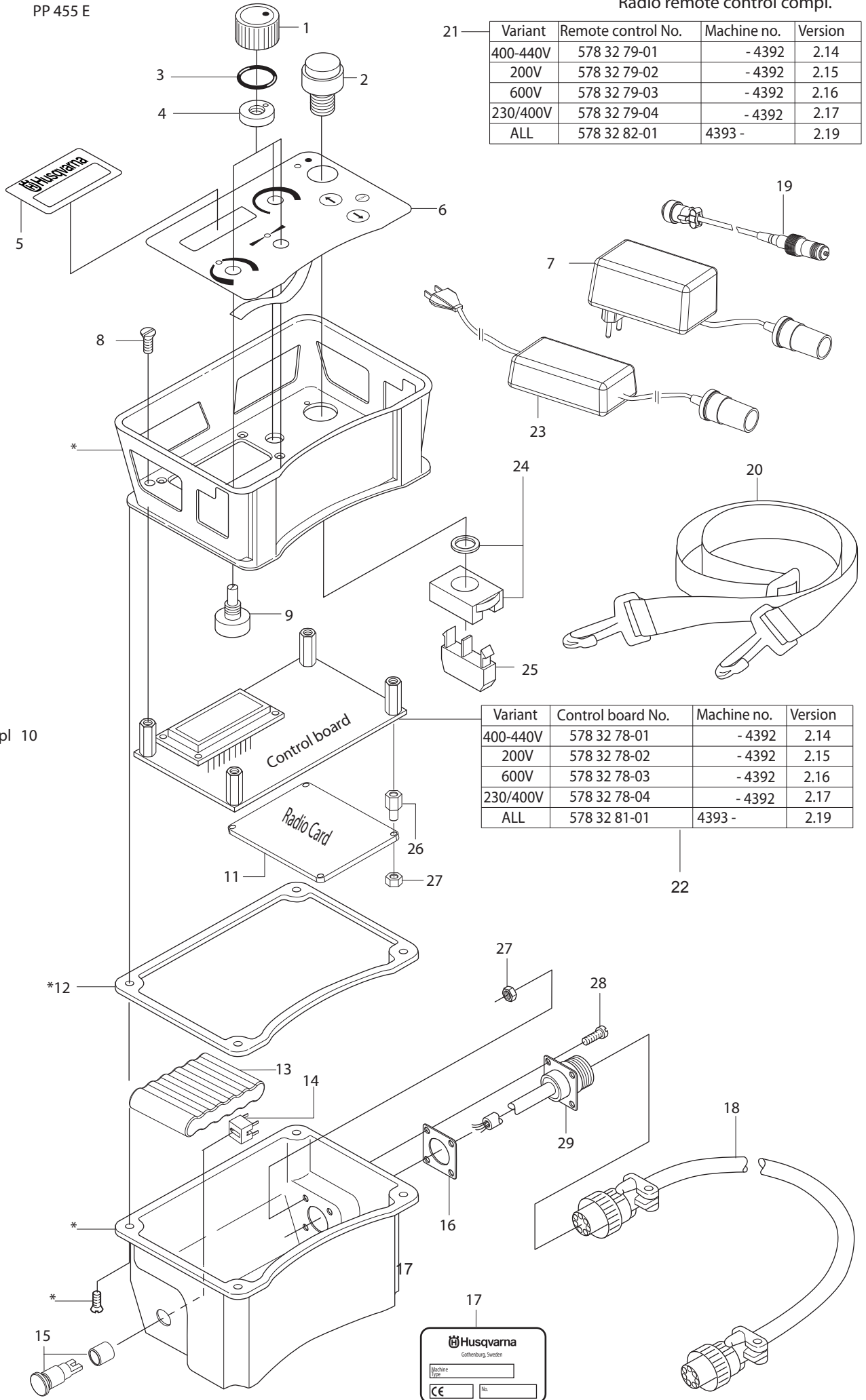


G

PP 455 E

Radio remote control compl.

Variant	Remote control No.	Machine no.	Version
400-440V	578 32 79-01	- 4392	2.14
200V	578 32 79-02	- 4392	2.15
600V	578 32 79-03	- 4392	2.16
230/400V	578 32 79-04	- 4392	2.17
ALL	578 32 82-01	4393 -	2.19



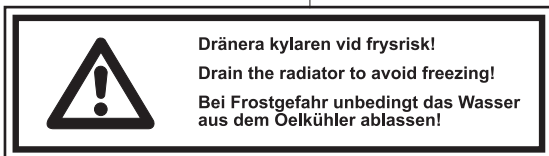
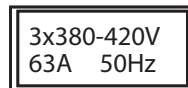
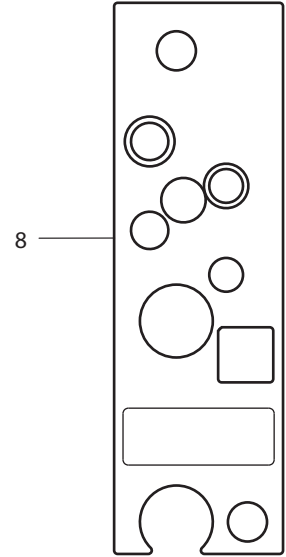
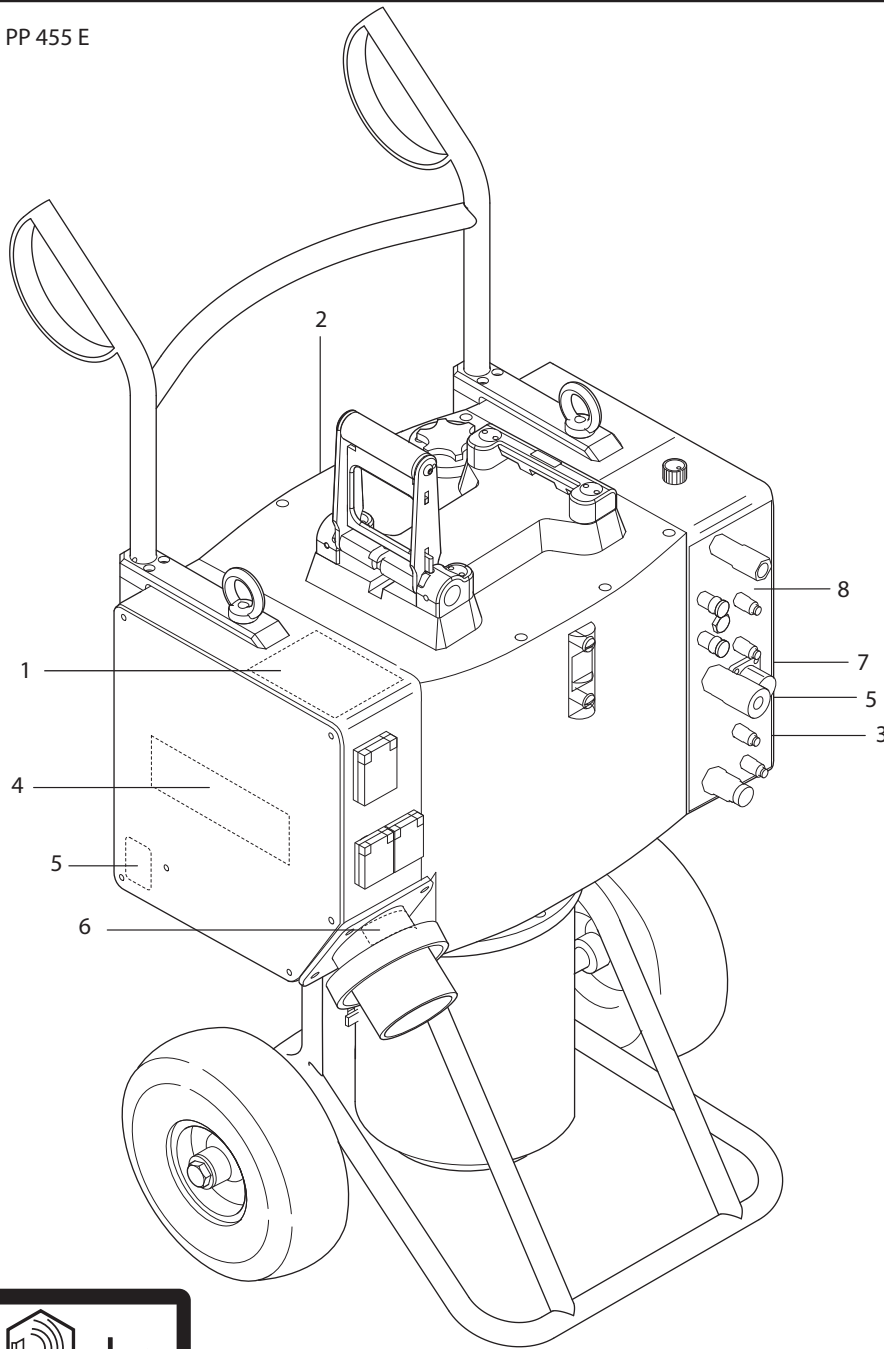
\*compl 10

Variant	Control board No.	Machine no.	Version
400-440V	578 32 78-01	- 4392	2.14
200V	578 32 78-02	- 4392	2.15
600V	578 32 78-03	- 4392	2.16
230/400V	578 32 78-04	- 4392	2.17
ALL	578 32 81-01	4393 -	2.19



**Page G PP 455 E**

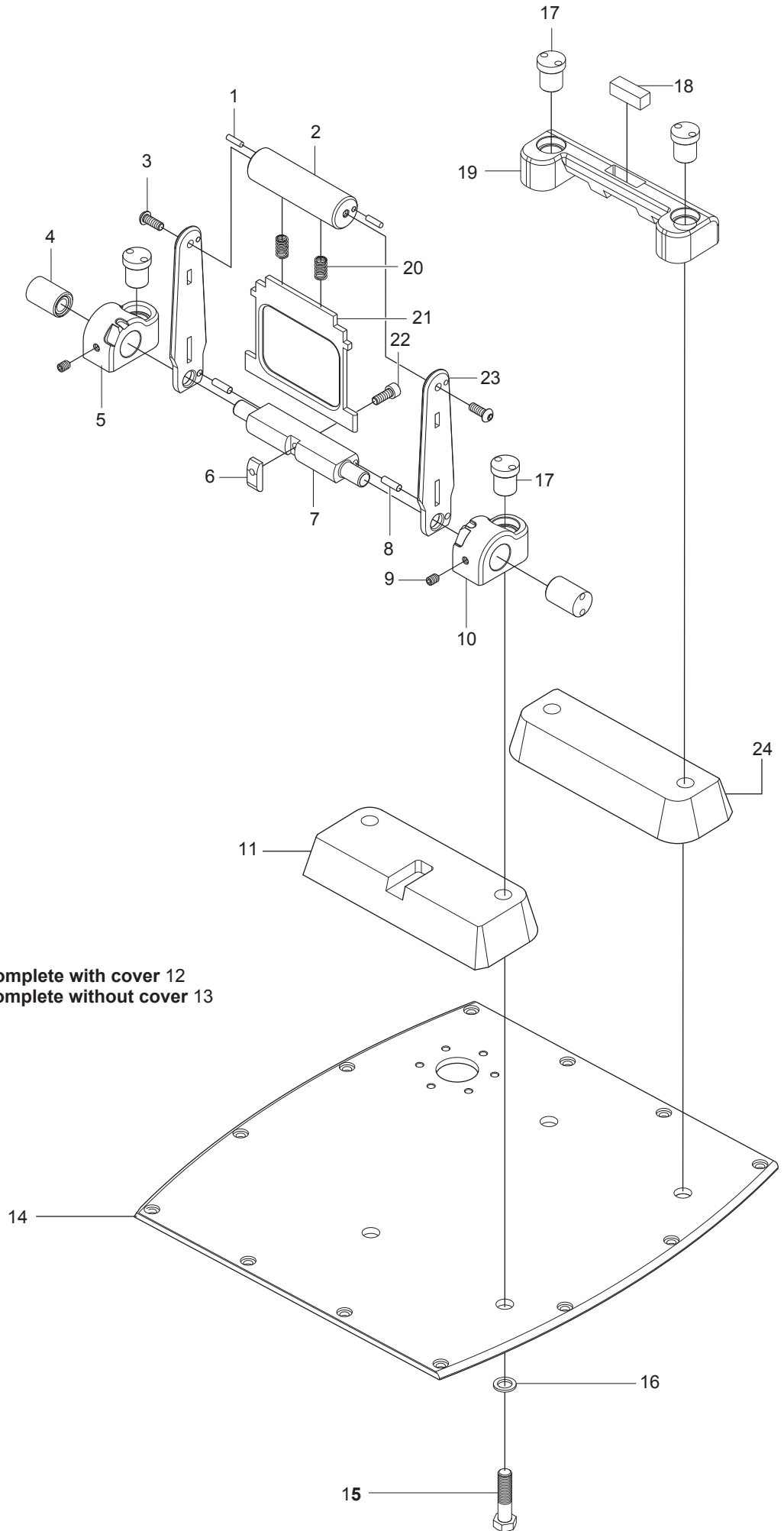
Position	Article	Quantity	Notes	Kit
1	531 11 51-83	3		
2	531 11 71-44	1		
3	740 42 17-00	3		
4	531 14 20-13	3		
5	504 05 50-01	1		
6	531 14 20-11	1		
7	531 11 72-54	1		
8	723 52 22-01	4		
9	531 11 70-96	3		
10	531 14 20-62	1	compl.	
11	574 02 85-01	1		
12	531 11 72-40	1		10
13	531 11 72-53	1		
14	531 11 72-52	1		
15	531 11 72-51	1		
16	531 11 71-59	1		
17	504 00 40-01	1		
18	531 11 50-12	1		
19	531 14 20-92	1		
20	531 11 91-26	1		
21	578 32 79-01	1	Variant 400-400V, Machine no. -4392, Version 2.14	
21	578 32 79-02	1	Variant 200V, Machine no. -4392, Version 2.15	
21	578 32 79-03	1	Variant 600V, Machine no. -4392, Version 2.16	
21	578 32 79-04	1	Variant 230/400V, Machine no. -4392, Version 2.17	
21	578 32 82-01	1	Variant ALL, Machine no. 4393-, Version 2.19	
22	578 32 78-01	1	Variant 400-400V, Machine no. -4392, Version 2.14	
22	578 32 78-02	1	Variant 200V, Machine no. -4392, Version 2.15	
22	578 32 78-03	1	Variant 600V, Machine no. -4392, Version 2.16	
22	578 32 78-04	1	Variant 230/400V, Machine no. -4392, Version 2.17	
22	578 32 81-01	1	Variant ALL, Machine no. 4393-, Version 2.19	
23	531 11 52-38	1		
24	531 11 71-44	1		
25	531 11 70-67	1		
26	531 11 93-85	4		
27	731 23 10-01	8		
28	723 12 24-01	1		
29	531 11 70-34	1		



7

**Page H PP 455 E**

<b>Position</b>	<b>Article</b>	<b>Quantity</b>	<b>Notes</b>	<b>Kit</b>
1	531 14 20-71	1		
2	531 14 12-34	1		
3	531 14 12-11	1		
4	504 02 99-05	1		
5	531 14 12-05	1		
6	531 14 11-91	1		
7	531 14 20-86	1		
8	504 00 37-01	1		



Saw carriage complete with cover 12  
Saw carriage complete without cover 13

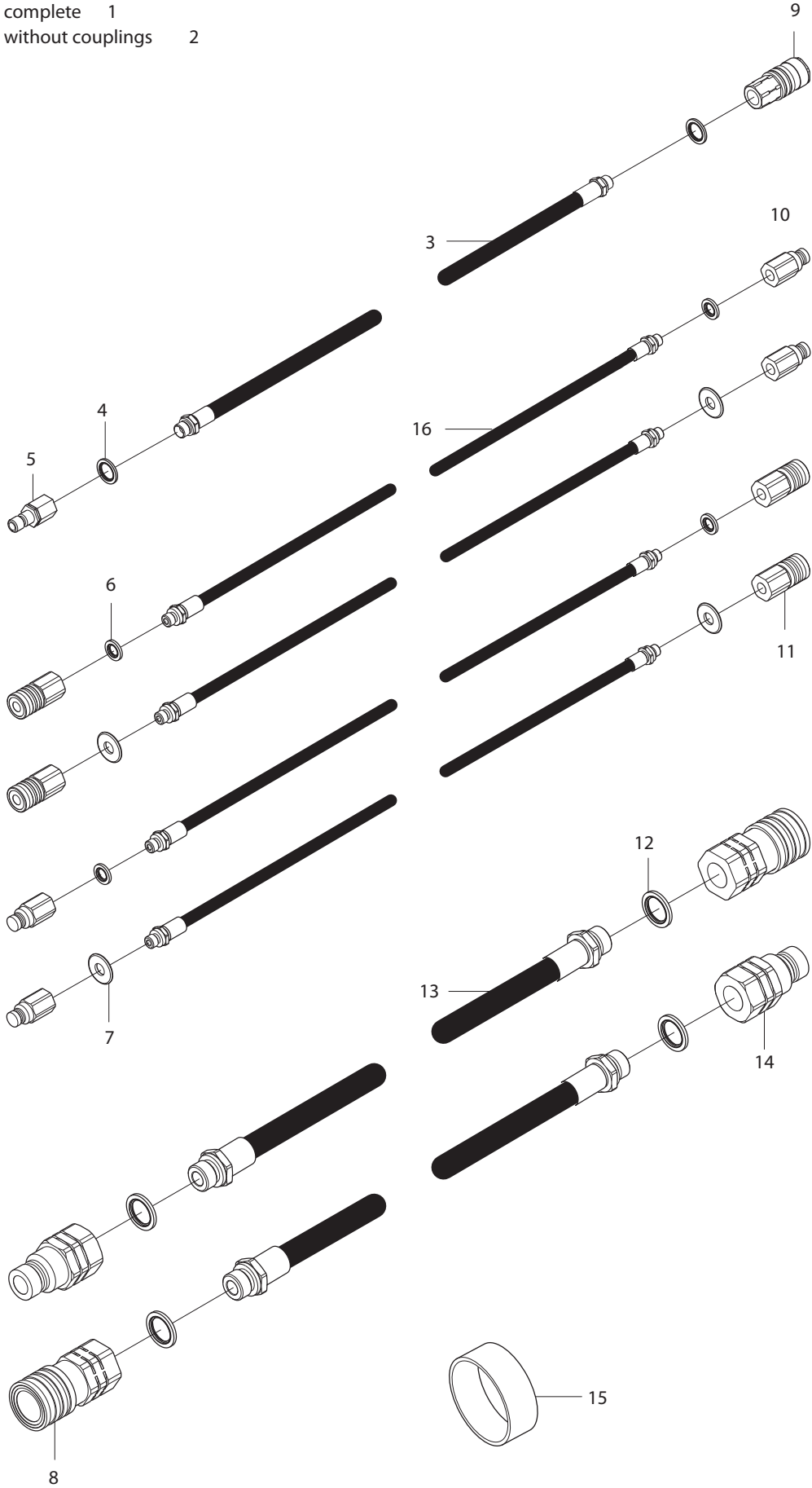
**Page I PP 455 E**

<b>Position</b>	<b>Article</b>	<b>Quantity</b>	<b>Notes</b>	<b>Kit</b>
1	720 12 71-50	2		
2	531 12 30-09	1		
3	531 11 94-26	2		
4	576 21 49-01	2		
5	531 12 30-04	1		
6	531 12 30-13	1		
7	531 12 30-11	1		
8	720 13 08-50	2		
9	728 73 64-05	2		
10	531 12 30-03	1		
11	504 73 80-01	1		
12	531 11 51-88	1	Saw carriage complete with cover	
13	531 11 52-37	1	Saw carriage complete without cover	
14	501 36 93-01	1		
15	725 25 42-51	4		
16	740 38 27-01	4		
17	531 12 30-18	4		
18	531 11 94-53	1		
19	531 12 30-02	1		
20	531 11 94-54	2		
21	531 12 30-12	1		
22	725 53 68-01	1		
23	531 12 30-10	2		
24	504 73 81-01	1		

J

PP 455 E

Hose set complete 1  
Hose set without couplings 2



**Page J PP 455 E**

<b>Position</b>	<b>Article</b>	<b>Quantity</b>	<b>Notes</b>	<b>Kit</b>
1	531 11 51-90	1	Hose set complete	
2	531 11 83-23	1	Hose set complete couplings	
3	531 12 22-52	1		
4	740 38 27-01	2		
5	531 11 82-18	1		
6	740 38 18-01	4		
7	531 12 31-00	4		
8	531 11 80-41	2		
9	531 11 82-19	1		
10	531 11 80-46	4		
11	531 11 80-45	4		
12	531 11 91-85	4		
13	531 11 83-36	2		
14	531 11 80-42	2		
15	531 11 82-47	14		
16	531 11 81-65	4		